



***bajadesigns***®  
THE SCIENTISTS OF LIGHTING

**2024-On Toyota Tacoma S1 Vent Kit  
(44-8254)**



2950 Norman Strasse San Marcos, CA 92069

Phone 760-560-2252 X3 • Fax 760-560-0383

info@bajadesigns.com • [www.bajadesigns.com](http://www.bajadesigns.com)



**baja designs**<sup>®</sup>  
THE SCIENTISTS OF LIGHTING

## LIMITED LIFETIME WARRANTY

Baja Designs proudly offers a LIFETIME WARRANTY against manufacturer's defect on all the products that we manufacture.

These are comprehensive warranties; other than the exclusions below – you're covered. If your LED or HID bulb burns out, you're covered. Additionally, cutting off our connector or changing your lenses does not automatically void your warranty.

### **Exclusions:**

Installation errors, abuse, misuse, or crash damage. You must be the original owner of the product and can supply proof of purchase.

Baja Designs manufactures its own products as well as resells products manufactured by others. Baja Designs makes no express or implied warranties on products not manufactured by Baja Designs including without limitation any warranties or merchantability and fitness for a purpose. We will, however, pass on all warranties made by the manufacturer, who has sole responsibility for performing such warranties.

Baja Designs will pay the freight if your product is less than 90 days old, otherwise defective products must be returned to Baja Designs, Inc., freight prepaid. At our option, we will repair or replace items in question and return them at no charge. If the identical product is no longer available, we will replace it with a similar product of equal value. Baja Designs Inc. will not be responsible for any indirect or consequential damages in connection with defective merchandise.

Items purchased through a Baja Designs authorized dealer must be returned through the dealer. Only available on LED auxiliary lights and product must be in sellable condition at MSRP. Product that has been damaged in any way after the original purchase date will be excluded from this guarantee.

### **Indemnification:**

**Buyer hereby acknowledges off-roading, racing and driving at night are dangerous activities and that the products and/or supplies purchased from Baja Designs are used in an inherently dangerous activity that may endanger life and limb; and in no event shall the seller, or seller's heirs and assigns, be held liable for consequential damages, nor shall seller's liability on any claim for damages arising out of or connected with the sale, delivery, or use of purchased products and/or supplies exceed the purchase price of the products and/or supplies.**

**Buyer is responsible for ensuring that it uses the products (and its vehicle) in accordance with all applicable laws, regulations, guidelines, and standards of care. Buyer acknowledges that some products may only be used when off-roading, and Buyer will comply with all vehicle and road safety guidelines. Buyer is solely responsible for (and will indemnify and hold Bestop harmless for) any claims, losses, damages, fines, fees, costs, or other amounts arising out of Buyer's non-compliance with these provisions.**

*\*\*For a color copy of instructions, visit your vehicle specific application on BajaDesigns.com \*\**

**Required Tool(s):**

- Sockets: 10mm, 7/16"
- Wrenches: 10mm, 7/16"
- Misc: Masking tape, trim tools
- 3mm Hex key

**Parts List:**



**(44-9443) (QTY:1)**

**2024-On Toyota Tacoma Vent Kit Bracket PS**



**(44-9444) (QTY:1)**

**2024-On Toyota Tacoma Vent Kit Bracket DS**

**(DS Vent Kit Bracket Baggy) (QTY:1)**

**(PS Vent Kit Bracket Baggy) (QTY:1)**



**(44-9472) (QTY:10)**

**Alloy Steel Socket Head Screw, Black-Oxide, M2 x 0.4 mm Thread, 6 mm Long**



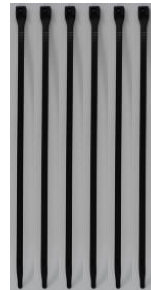
**(38-7805) (QTY:1)**

**S1, Pair Wide Cornering LED**



**(64-0165) (QTY:1)**

**Pro & Sport 2pin, 10' Extension**



**(20-1612) (QTY:6)**

**Hardware, Zip Tie 50lb 8"**

To begin, make sure the vehicle is in park, on level ground and the parking brake is engaged.

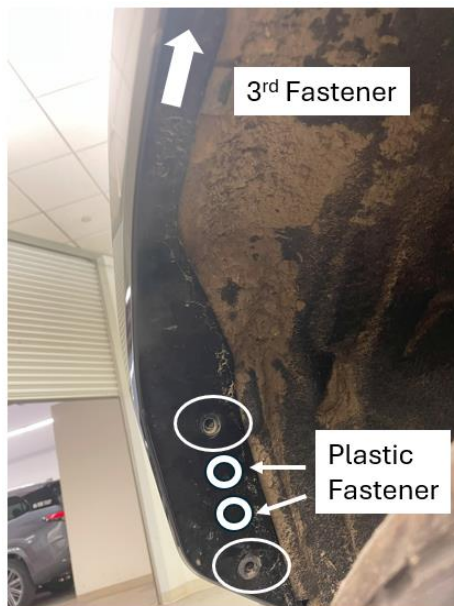
### Step 1: Vehicle Prep

Disconnect the negative battery terminal on the vehicle battery using a 10mm socket.



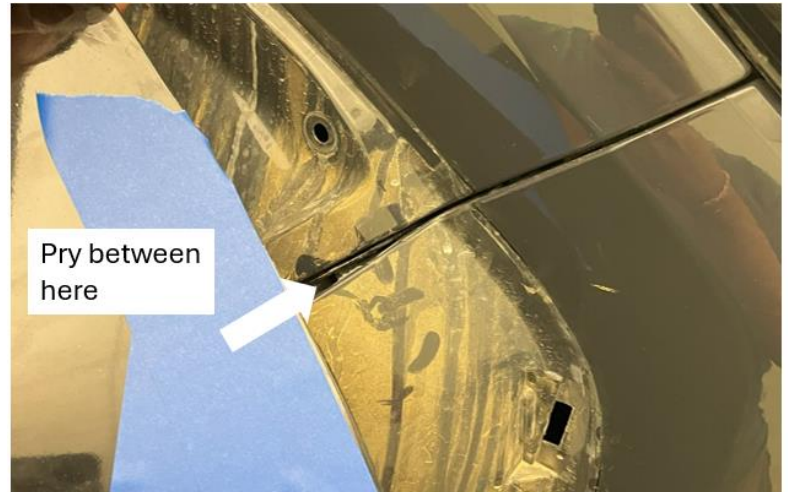
### Step 2: Loosen the front fenders

Remove the 3 hex head fasteners on the inside of the fender using a 10mm socket (The third fastener is towards the top of the fender). Some fenders may have two additional plastic fasteners that will need to be removed by prying the head up. Firmly pull the fender corner directly away from the vehicle until you hear the clips disengage.



### Step 3: Release the front fascia clips

Pull the corner of the front fascia (that was beneath the front fender) directly outward to free the clips. Pry between the clips to release them using a trim removal tool.



### Step 4: Remove fasteners underneath the front fascia

Use a 10mm socket to remove the two fasteners in each corner along the bottom edge of the front fascia. Remove the two bolts accessible from the gap between the fascia and the skid plate.



### Step 5: Remove the air intake

Remove the air intake by pushing the 4 clips circled below until they release and pulling them out. Completely remove the air intake and store it somewhere safe.



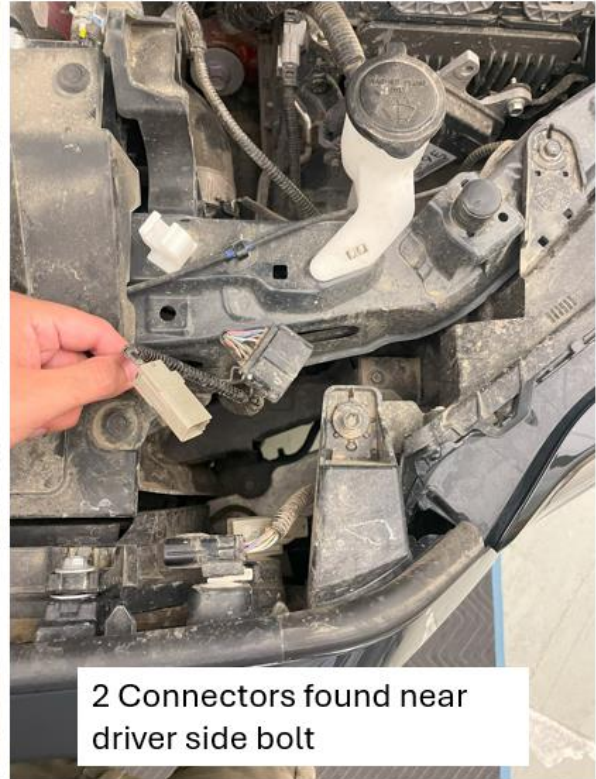
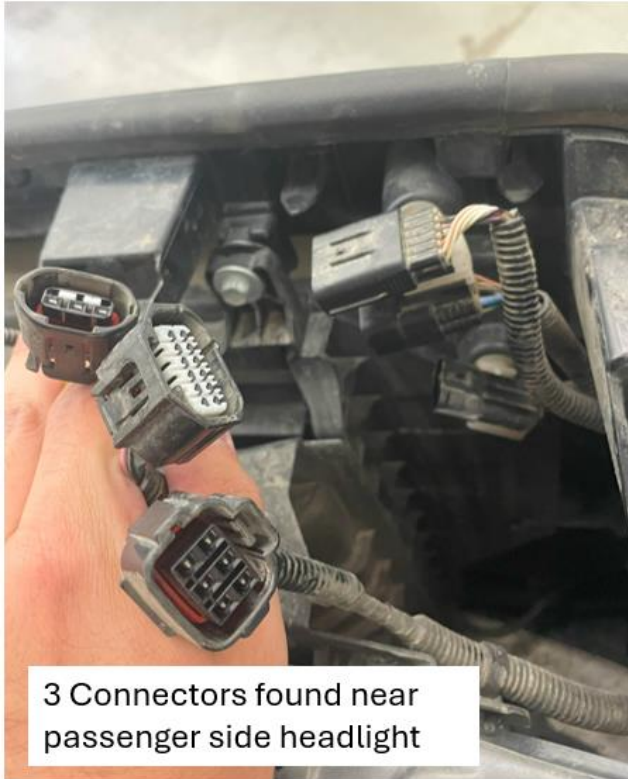
### Step 6: Remove under the hood fascia fasteners

Use a 10mm socket to remove the 3X bolts at the locations circled below. Remove the two plastic fasteners (near the hood latch) by pushing the center and pulling them out.



**Step 7: Disconnect all connectors going to the front fascia/grill**

Disconnect the 3 connectors found near the passenger side headlight/beneath the intake. Disconnect the two connectors found near the driver side bolt pictured above. Tuck them away to avoid pinching during reinstall. **Some vehicles may have less connectors.**



**Step 8: Remove the front fascia**

**\*Tape the bottom edge of the headlight to avoid scratches\***

With an assistant, Pull the front grill/fascia straight off the vehicle. Make sure to clear the locating nub on each mount from step 6.



**Step 9: Remove vent trim panel (both sides)**

Disengage the five clips (pictured below) on each trim panel (Both sides).



**Step 10: Install the vent bracket**

Insert the vent kit in place of the OEM bracket. Make sure all the tabs are inserted in the correct slots.

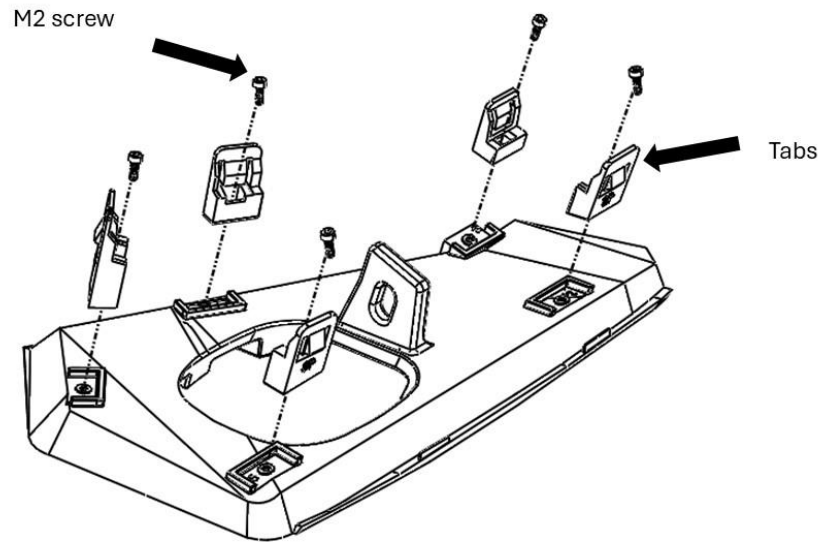
Make sure all the tabs are engaged



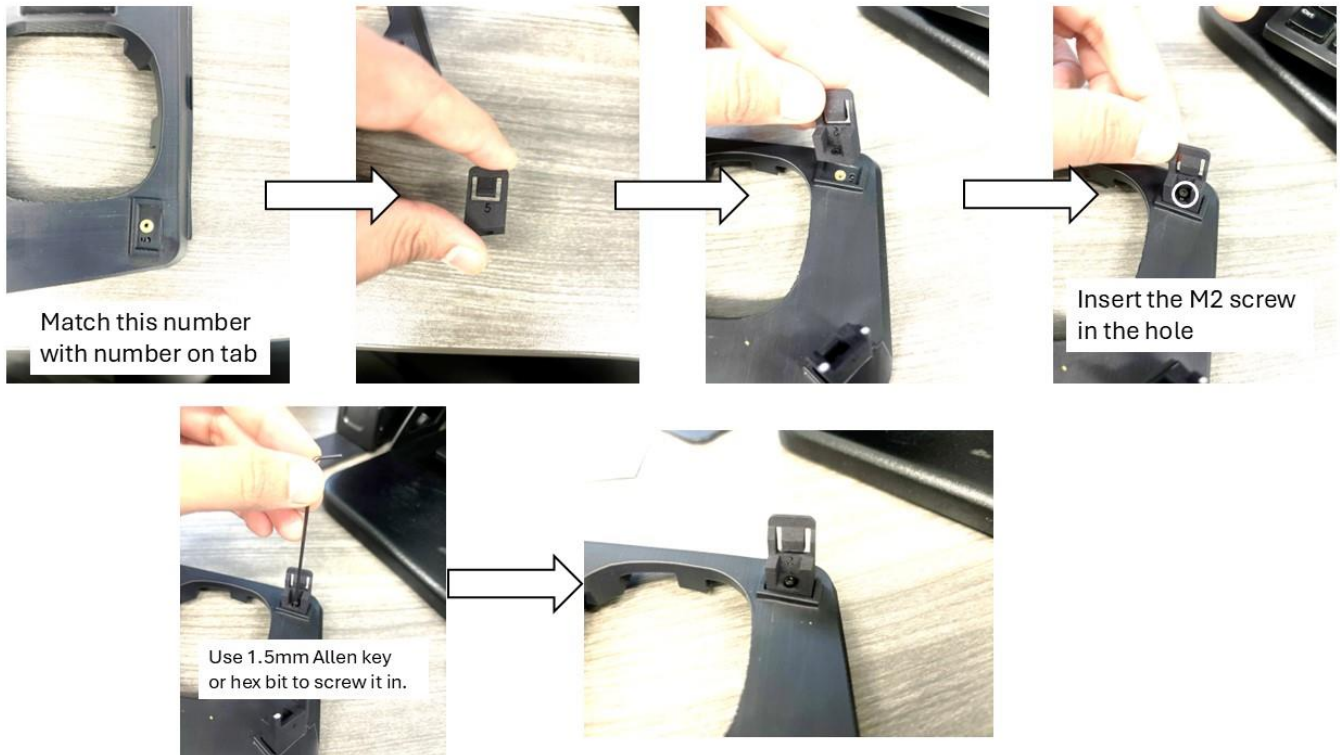


### Step 11: Insert tabs in the base bracket

Use below given image to insert the tabs in the base bracket for passenger side and driver side.

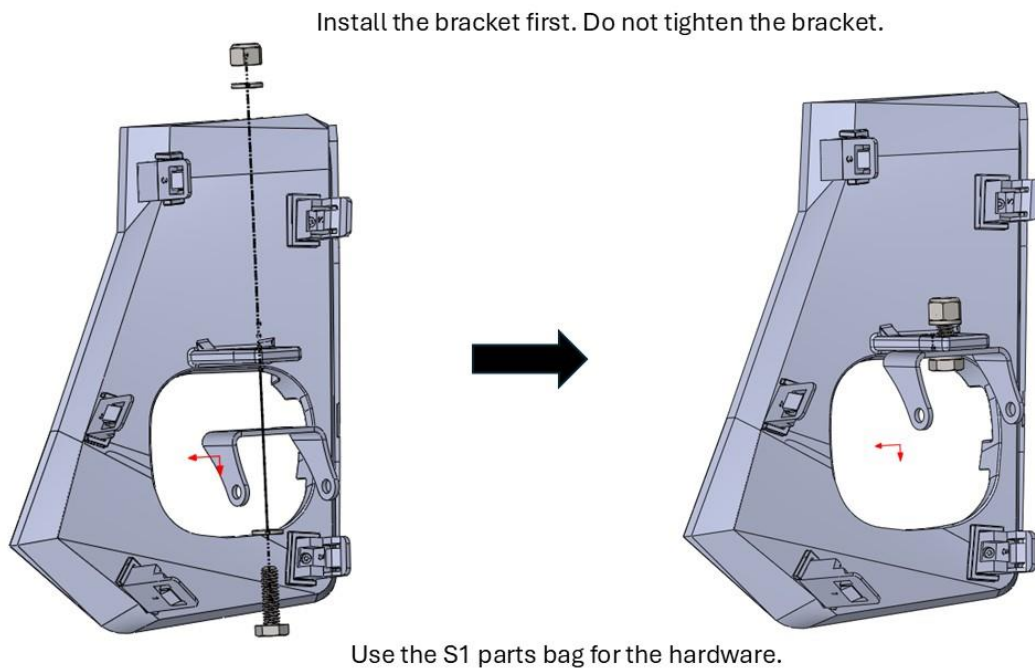


The tabs and the base bracket have initials P and D embossed on their surface to recognize which is Passenger and Driver.



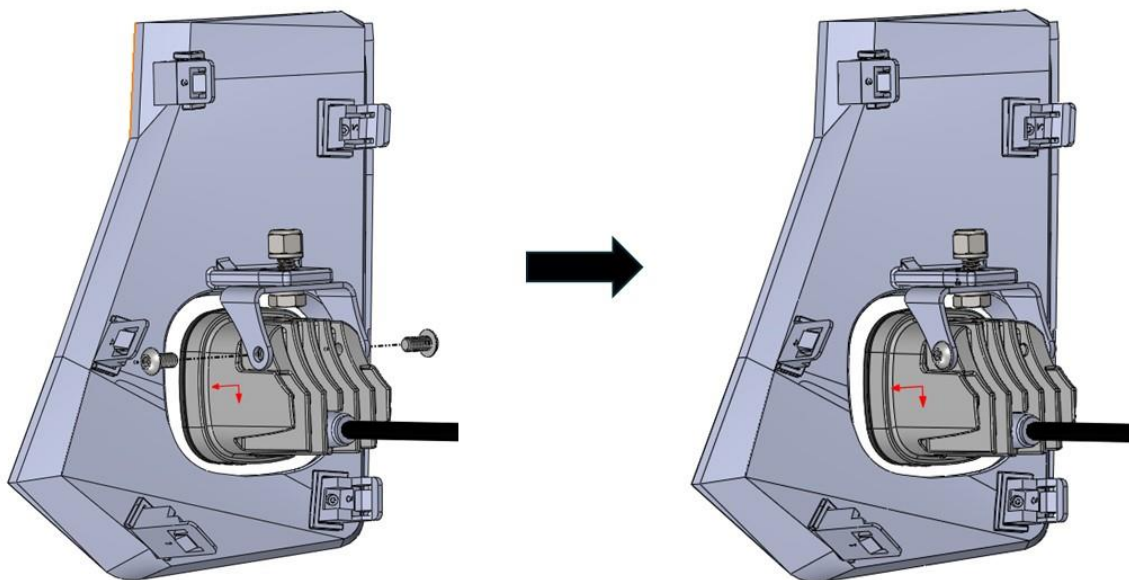
**Step 12: Install the light**

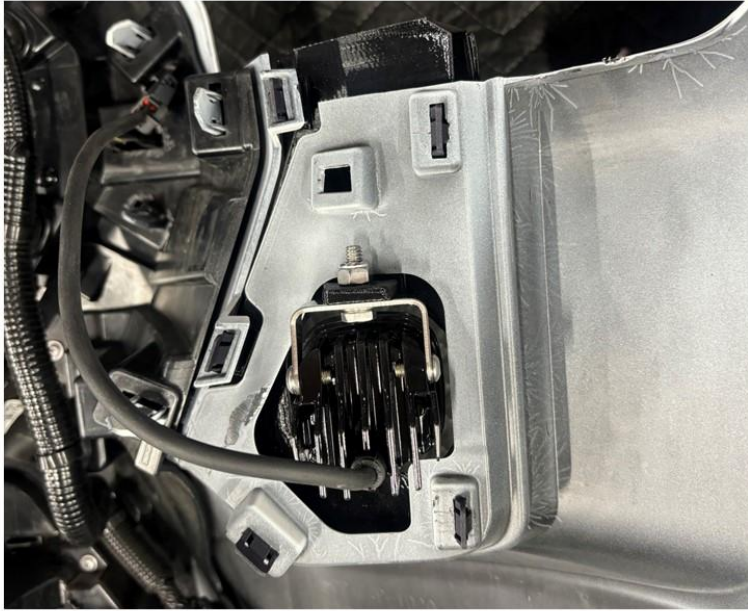
Use the hardware and the bracket in the parts bag to mount the light into the vent bracket. Use 7/16" wrench and socket.



Use 3mm hex key to tighten the bolt that connects the light to the mounting bracket.

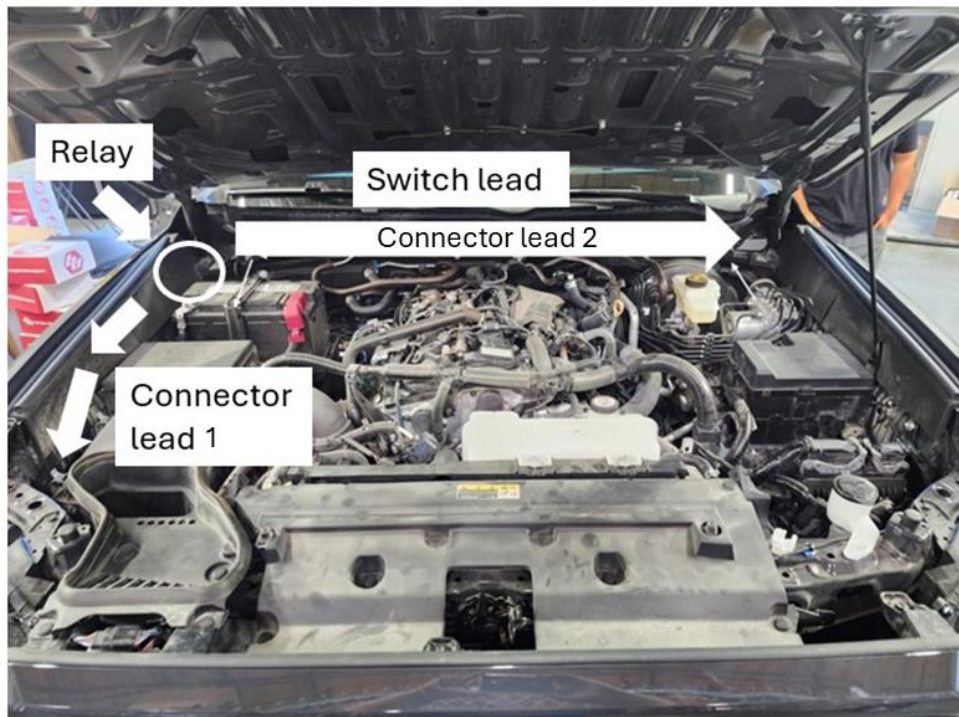
Install the light on to the bracket. Adjust the light and then tighten the mounting bracket bolt.





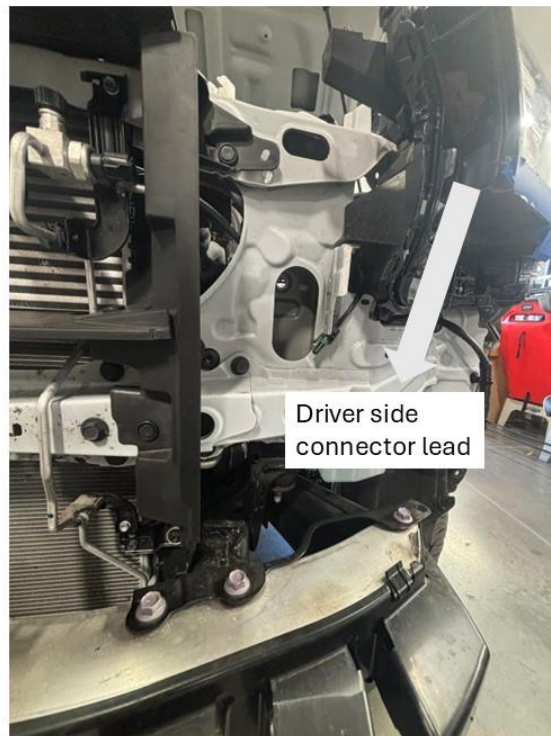
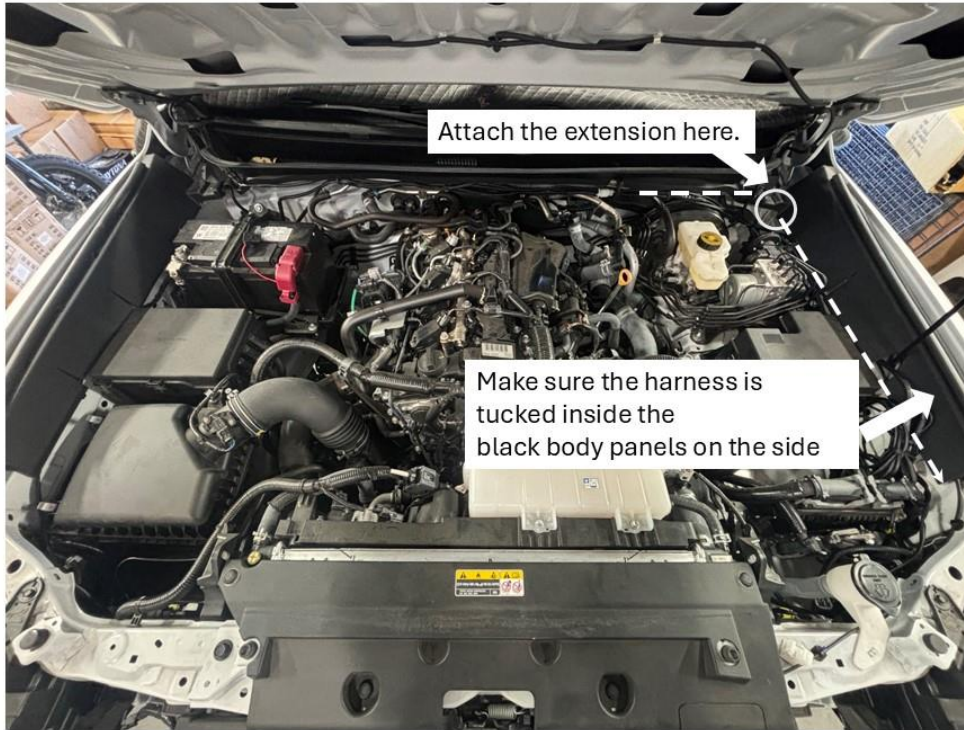
### Step 13: Harness prep

Secure the harness to the battery terminals using 12mm wrench. Loosely secure them around the vehicle battery. Run the switch lead along the firewall towards the driver's side. Run one of the connectors towards the front of the vehicle and underneath the air intake for the passenger side light. Refer the image below and step 13 for connecting lead 2 to the driver side light. **DO NOT RECONNECT THE VEHICLE BATTERY.**



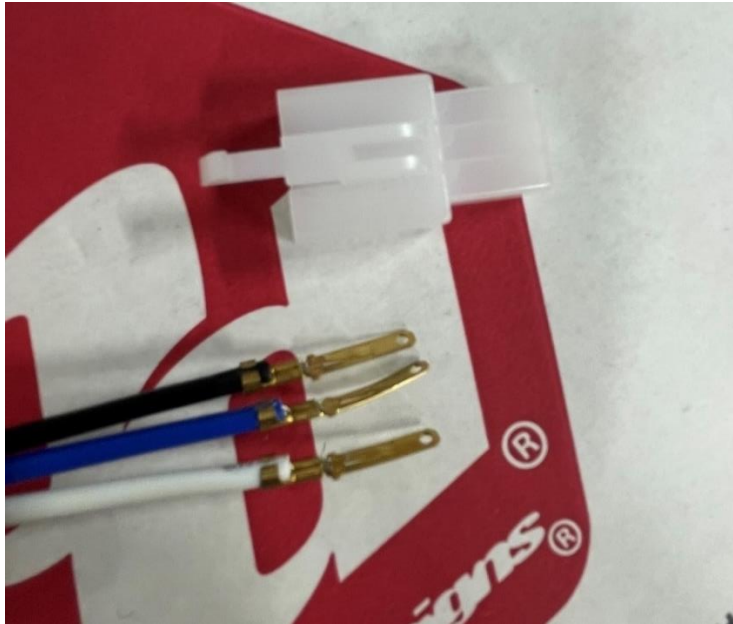
### Step 14: Connecting an extension

For reaching the driver side, connect the main harness (64-0117) to the 10ft extension (64-0165). Use the diagram below for reference.



**Step 15: Toggle Version ONLY (Skip to step 21 for upfitter version)**

Disconnect the white connector on the switch lead and remove the connector from the switch side leaving the pins exposed. Use a tiny flat head or unfolded paper clip to de-pin.



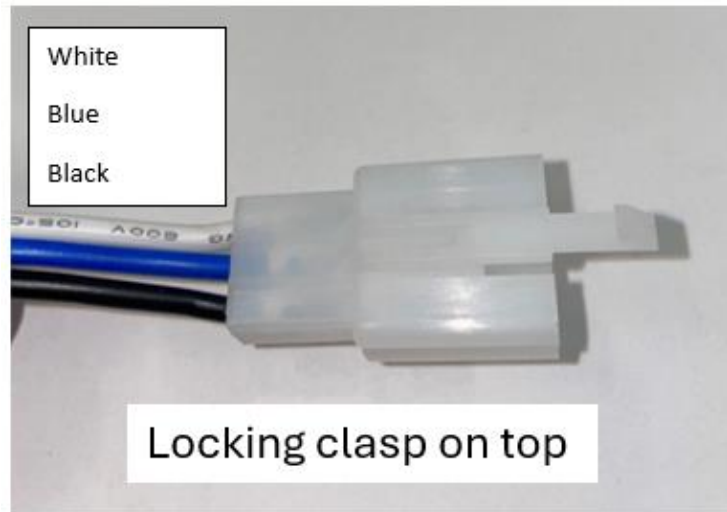
**Step 16: Firewall passthrough**

Make a small hole in the firewall passthrough and pass the switch lead connector through the boot into the engine bay (pin side first). Wire emerges below the brake booster (driver side).



### Step 17: Harness reconnection

Pull the switch lead into the engine bay until it is long enough to be reconnected to the original harness. Reinstall the white connector onto the exposed pins using the format below and then reconnect the two harnesses.



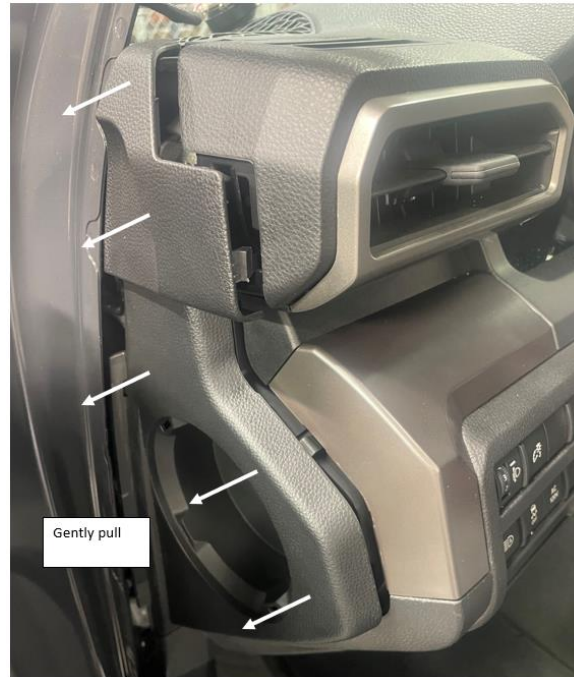
### Step 18: Trim panel removal

Remove the door seal on the driver's side and the round trim panel pictured below.



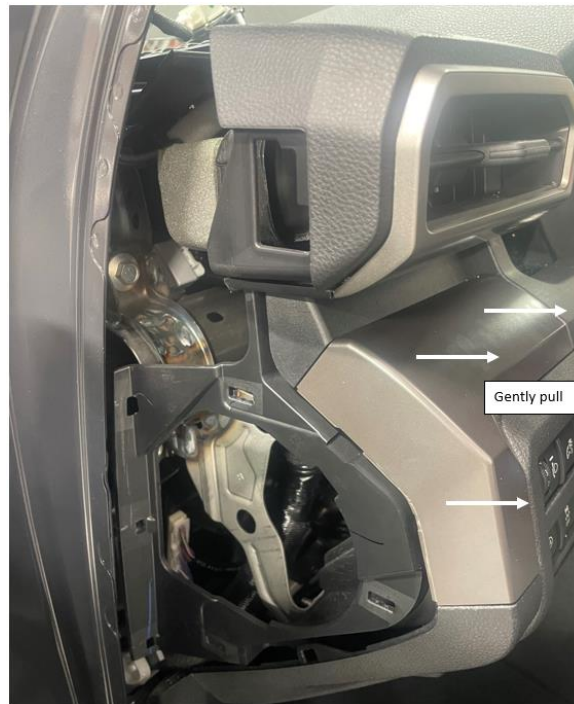
**Step 19: Trim panel removal**

Remove the trim panel off the side of the dashboard by starting at the top edge and gently pulling away from the dash.



**Step 20: Trim panel removed**

Remove the trim panel by pulling parallel to the arrows pictured.

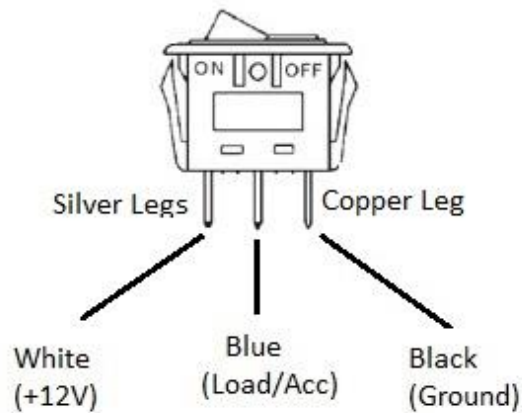


### Step 21: Button Installation

Drill a hole .75" in diameter at the specified location. Remove the button from the switch harness leaving only the exposed pins. Run the harness up from the footwell behind the dash and into the newly made hole. Re-install the button onto the harness and place it onto the dashboard. Re-install all trim panels.



BD Lighted Rocker



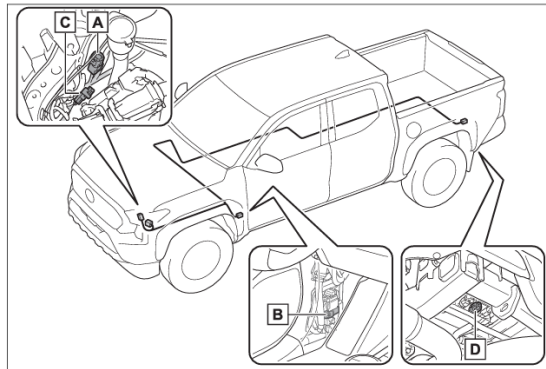
**\*Skip to step 23 for final installation steps\***



## Step 22: Upfitter Kits ONLY

Remove the OEM connector plug A from the harness behind the driver side headlight.

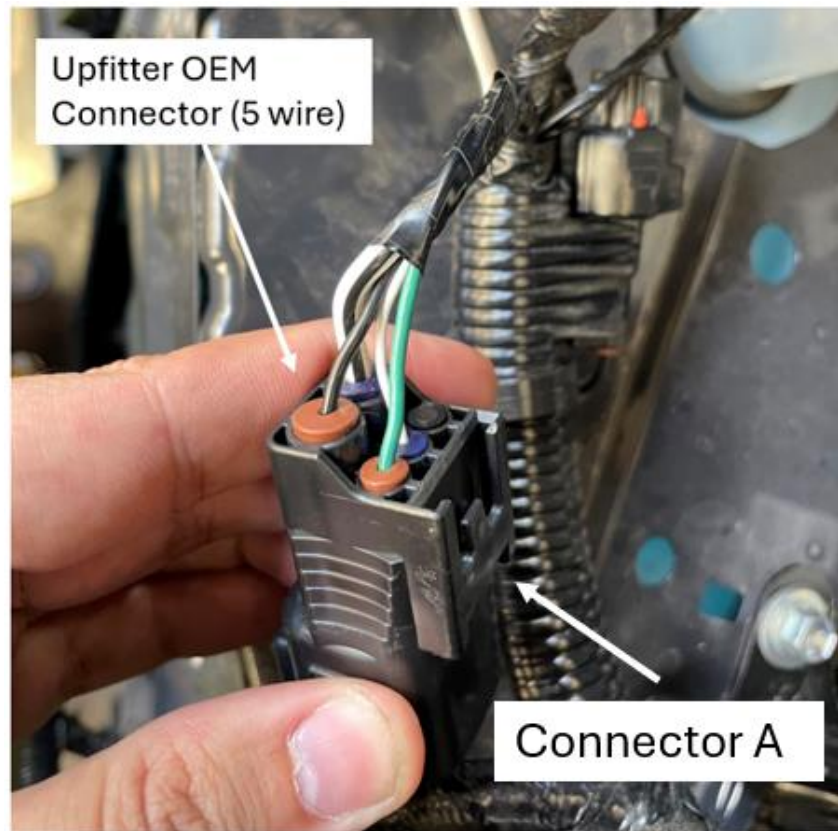
Location of auxiliary switch wire harness connectors:



- A** Engine compartment
- B** Cabin (behind trim panel)
- C** Engine compartment
- D** Rear frame

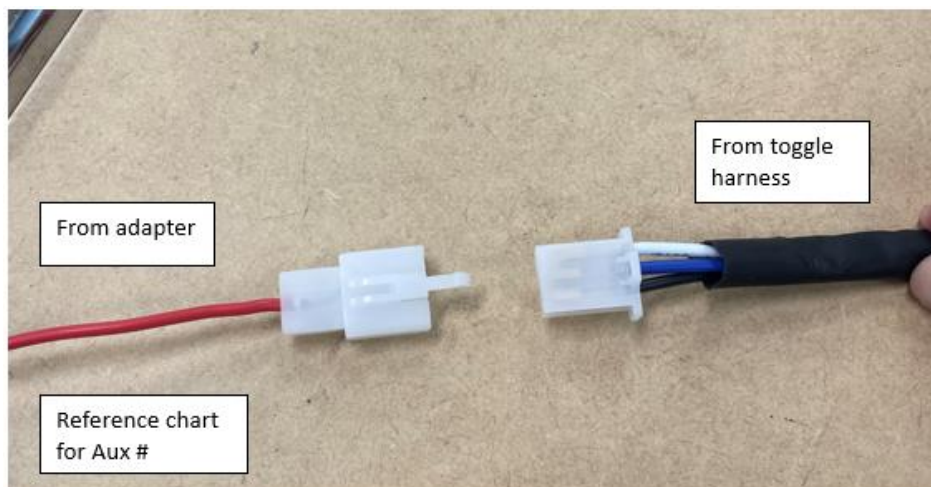
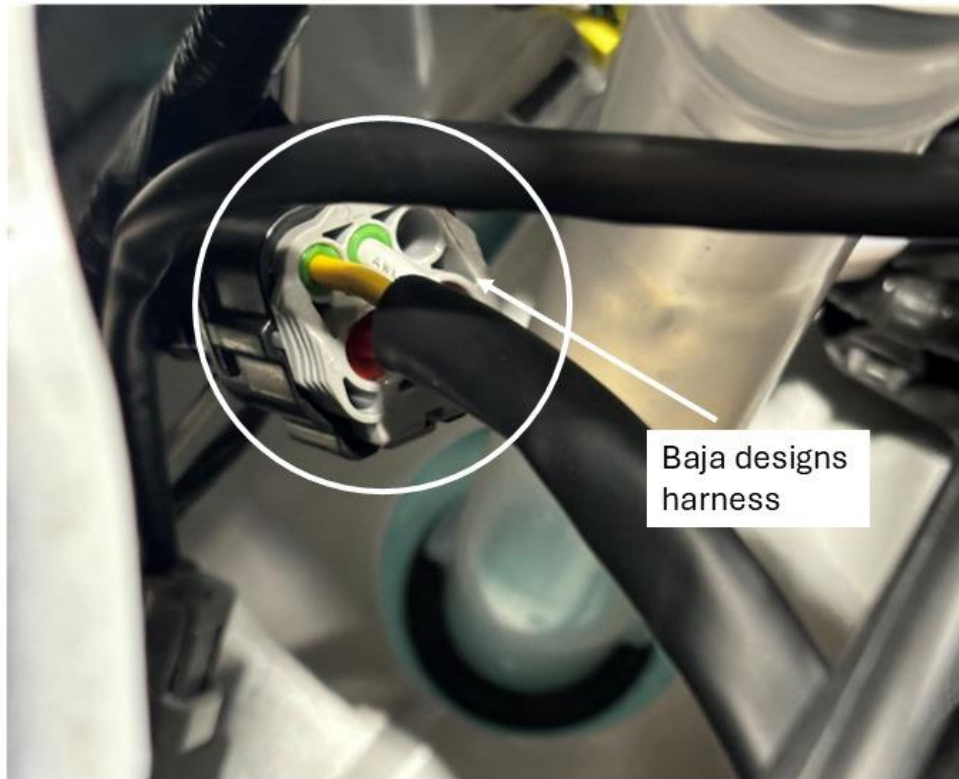
Powered Circuits:

Circuit	Fuse Name	Fuse Size	Fuse Location	Pigtail Wire Color	Connector Location
AUX1	AUX NO.1	15A	Engine compartment	Black	Engine compartment <b>A</b> , cabin <b>B</b>
AUX2	AUX NO.2	10A		Green	
AUX3	AUX NO.3	5A		White	



### Step 23: Upfitter harness routing (Upfitter only)

Plug in the provided adapter (60-0101 to be bought separately) and run the harness to the end of the toggle harness in step 12. Connect the two harnesses using the appropriate connector from the chart below. Tie away any slack using the zip ties provided.



Depending on which Auxiliary (Aux) button you want to control your lights follow the reference below:

- Aux 1: Connect your harness to red wire (Baja Designs adapter) (Pictured above)
- Aux 2: Connect your harness to yellow wire (Baja Designs adapter)
- Aux 3: Connect your harness to white wire (Baja Designs adapter)

**Step 24: Connecting to lights**

Connect the harness to the light power cords. Secure the harness as tight to the bracket as possible to clear the shutter system. Use zip-ties to secure the harness.

**Step 25: Reinstall all vehicle body panels**

Reinstall all the body panels by following steps 2-9 in reverse. Reinstall all the fasteners.

**Step 26: Testing**

Re-connect the 5X connectors from step 7. Re-connect the battery terminals using 12 mm wrench. Test the light functionality for S1s.

**Step 27: Installation complete!**

\*Tie all wires away from sharp, hot, and/or rotating components.

\* Re-torque all the fasteners after 100 miles.

\*Your install is now complete! Thank you for choosing Baja Designs.